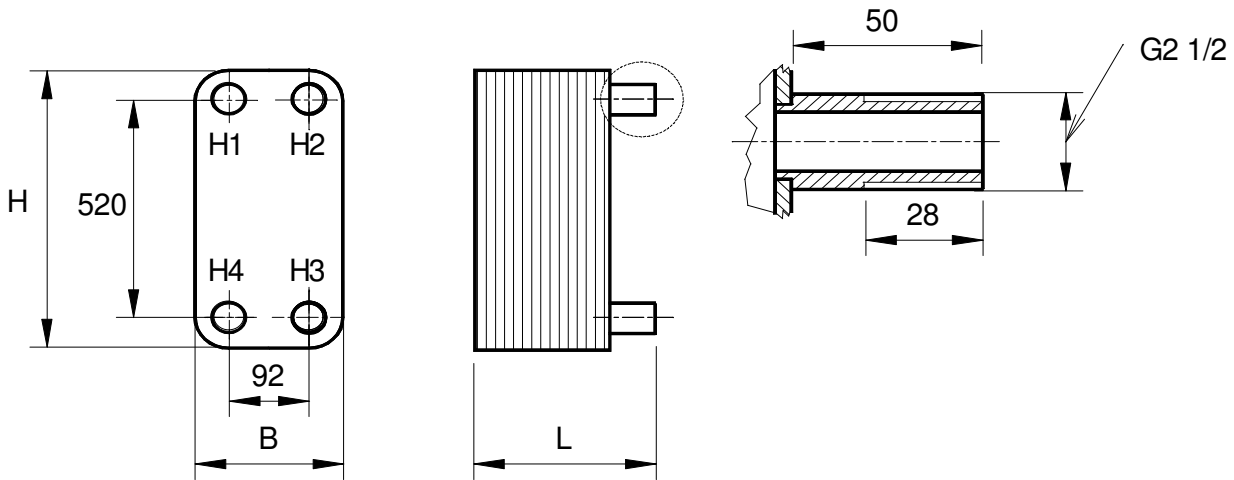


**Technical Datasheet**



| 1. Materials |                          |
|--------------|--------------------------|
| Plates       | : Stainless steel 1.4401 |
| Connections  | : Stainless steel 1.4401 |
| Brazed point | : Copper 99,9%           |
| Nameplate    | Heat-resistant Plate     |

| 2. Operation Conditions        |             |
|--------------------------------|-------------|
| Ambient Temperature            |             |
| in Operation                   | 5...40 °C   |
| at transporting and stocking   | -40...80 °C |
| max. valid pressure (U):       | 30 bar      |
| Inspection pressure:           | 45 bar      |
| min. valid temperature:        | - 50 °C     |
| max. valid temperature:        | + 195 °C    |
| max. dT <sub>prim/sek.</sub> : | 150 °C      |

| 3. Safety Instructions              |  |
|-------------------------------------|--|
| (as far as applicable )             |  |
| DIN EN 12828                        |  |
| safety equipment of heating-systems |  |
| DIN 4753                            |  |
| DIN 1988 parts 1 - 7                |  |

| 4. Unit based data |            |       |                |         |         |             |
|--------------------|------------|-------|----------------|---------|---------|-------------|
| Plate-number       | Volume (l) |       | Dimension (mm) |         |         | Weight (kg) |
|                    | H1/H4      | H2/H3 | Length L       | Width W | Hight H |             |
| 20                 | 1,83       | 2,03  | 105            | 184     | 605     | 15,6        |
| 30                 | 2,84       | 3,05  | 129            | 184     | 605     | 19,8        |
| 40                 | 3,86       | 4,06  | 153            | 184     | 605     | 24,0        |
| 50                 | 4,87       | 5,08  | 177            | 184     | 605     | 28,2        |
| 60                 | 5,89       | 6,09  | 201            | 184     | 605     | 32,4        |
| 80                 | 7,92       | 8,12  | 249            | 184     | 605     | 40,8        |
| 100                | 9,95       | 10,15 | 297            | 184     | 605     | 49,2        |

**Copper brazed Plateheatexchanger - Construction**

**OHC 100 / .....AE**

all connections on a site

Connection outside thread **G 2,5**