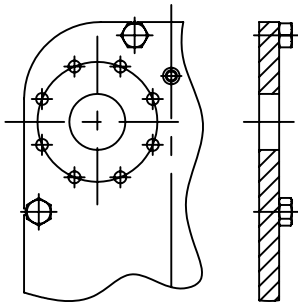
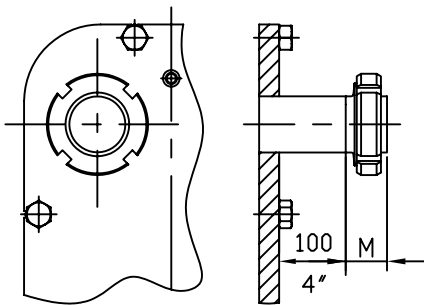
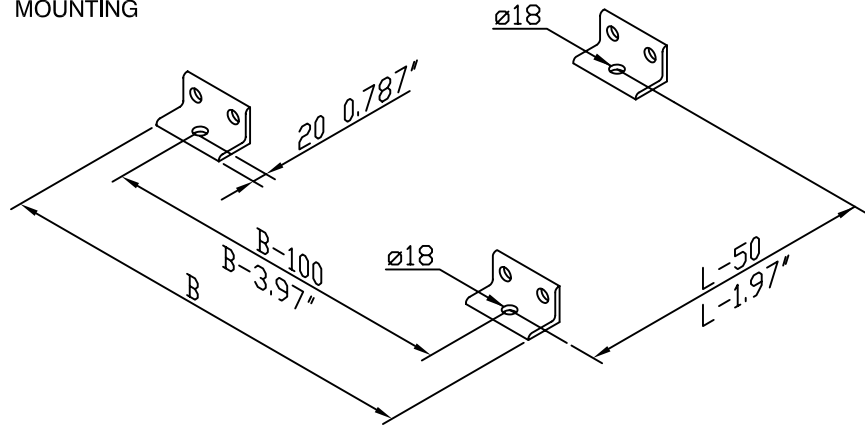


CONNECTIONS:

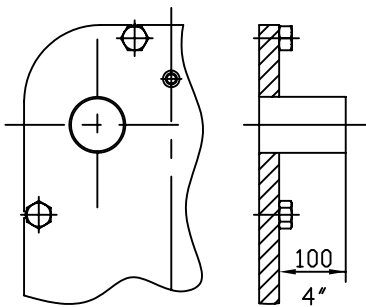


FLANGE

MOUNTING

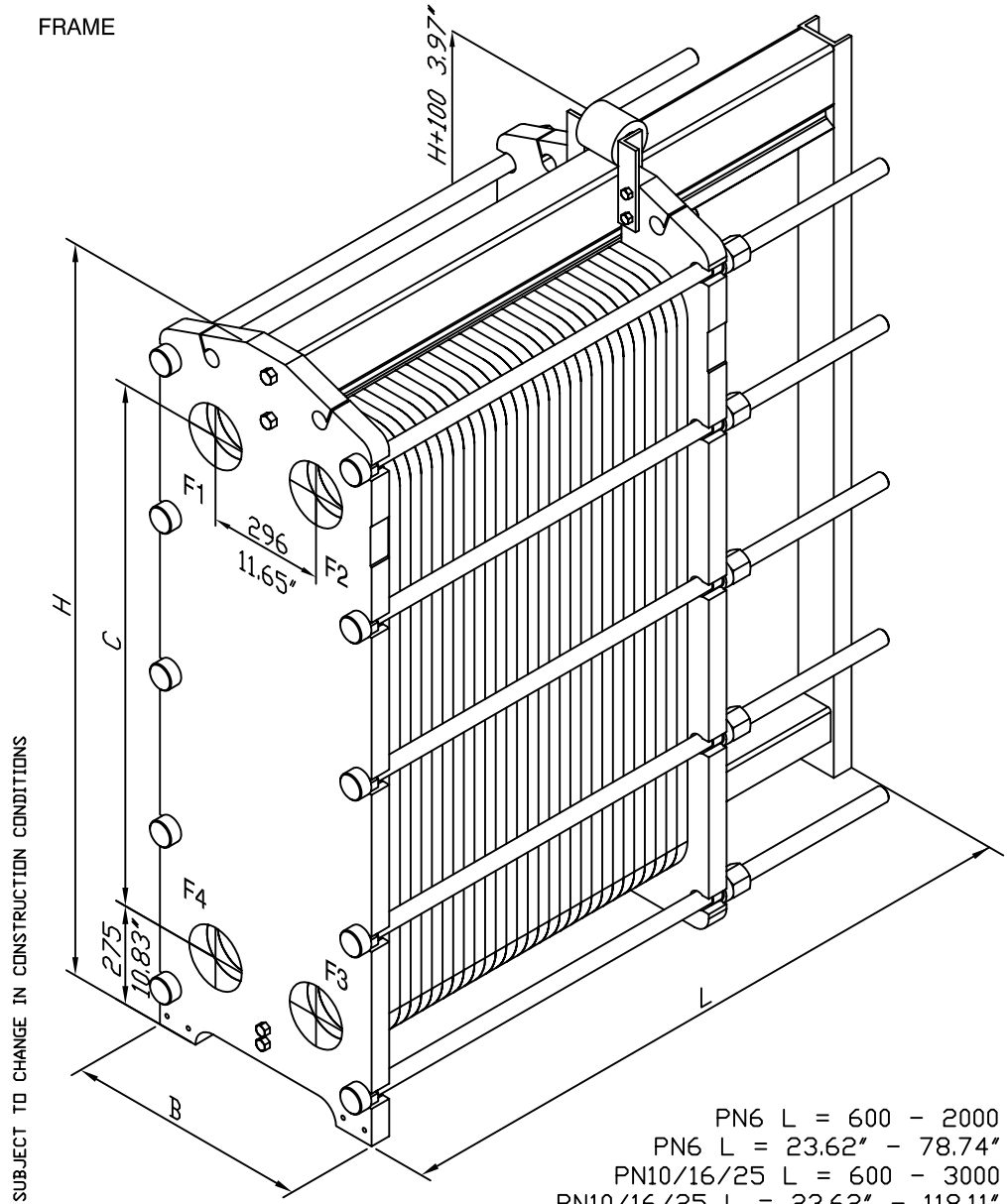


DAIRY UNION  
M ACCORDING TO STANDARD



DAIRY PIPE

FRAME



PN6 L = 600 - 2000  
 PN6 L = 23.62" - 78.74"  
 PN10/16/25 L = 600 - 3000  
 PN10/16/25 L = 23.62" - 118.11"

| FRAME SIZE         | DIM H        | DIM C       | DIM B PN 6, 10/16, 25 |            |            |
|--------------------|--------------|-------------|-----------------------|------------|------------|
| S41a / S41ae / S42 | 1450/57.09"  | 890/35.04"  | 588-23.15"            | 608-23.94" | 640-25.20" |
| S62 / S62ae        | 1852/72.91"  | 1292/50.87" | 588-23.15"            | 608-23.94" | 640-25.20" |
| S86                | 2254/88.74"  | 1694/66.69" | 588-23.15"            | 608-23.94" | 640-25.20" |
| S110               | 2654/104.49" | 2094/82.44" | 588-23.15"            | 608-23.94" | 640-25.20" |



PLATE HEAT EXCHANGER GROUP:

S41a/S41ae/S42 /S62 /S62ae / S86 / S110 - IS

|                                       |        |          |           |
|---------------------------------------|--------|----------|-----------|
| DWG. FILE NO.:                        | DRAWN: | DATE:    | REV. NR.: |
| S41a-S42-S62-S86-S110-IS-PN6-10-16-25 | LGK    | 22.04.08 | 1         |