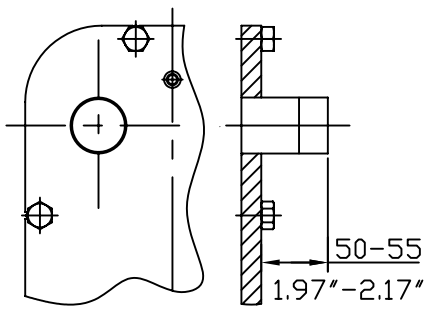
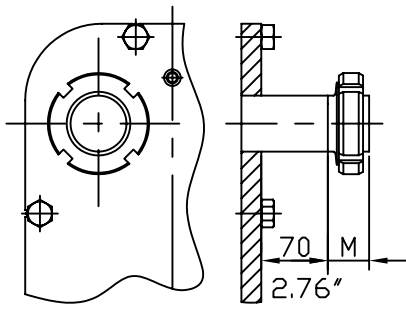


CONNECTIONS:

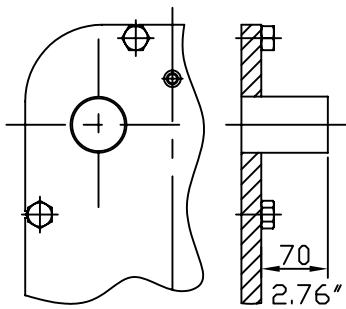


THREADED PIPE

MOUNTING

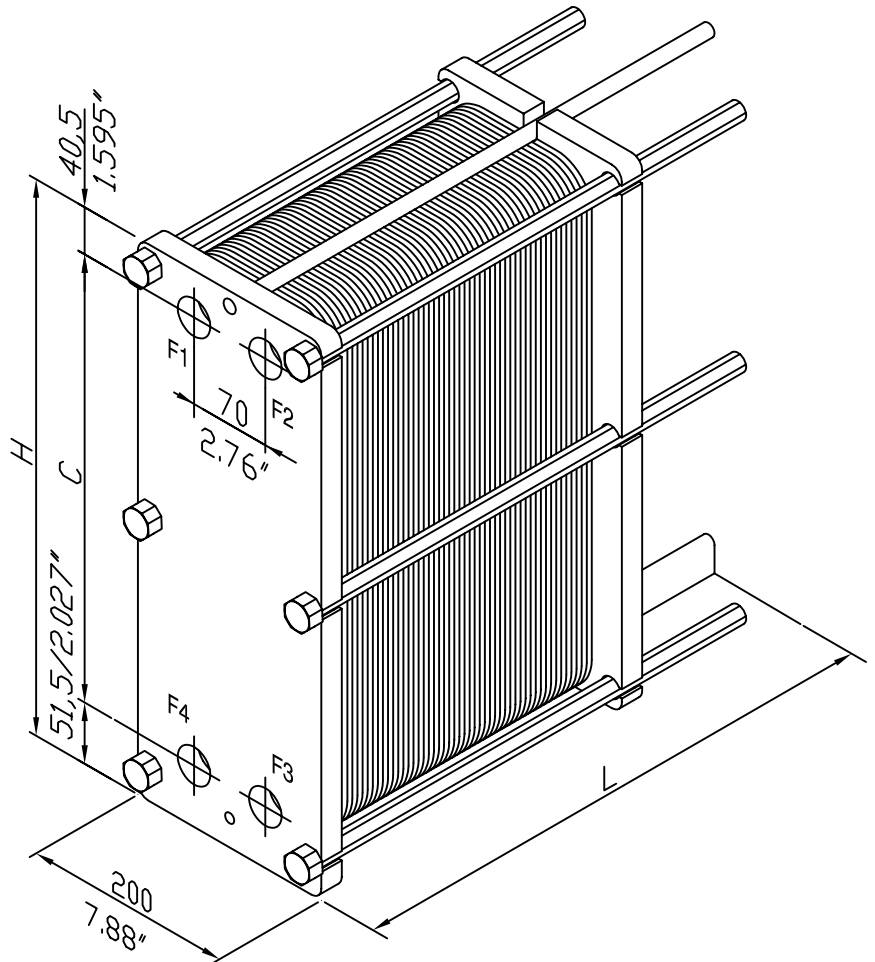


DAIRY UNION  
M ACCORDING TO STANDARD



DAIRY PIPE

FRAME



SUBJECT TO CHANGE IN CONSTRUCTION CONDITIONS

FRAME SIZE	DIMENSION H	DIMENSION C
S4a	473/18.62"	381/15"
S8a	748/29.45"	656/25.83"



**SONDEX**

Jernet 9  
DK-6000 Kolding

PLATE HEAT EXCHANGER GROUP:

**S4a / S8a - FG / IG PN16**

DWG. FILE NO.:  
S4a-S8a-FG-IG-PN16

DRAWN:  
BTØ

DATE:  
22.04.08 lgk

REV. NR.:  
6