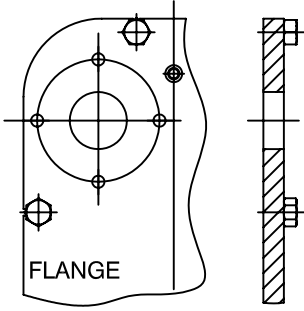
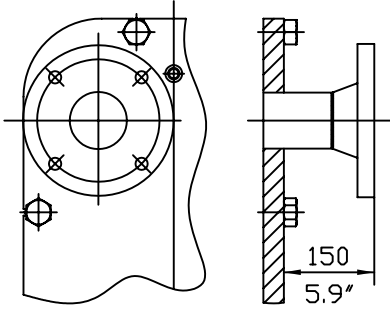


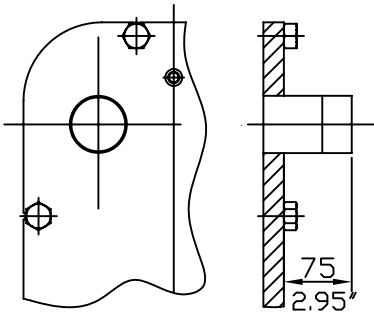
CONNECTIONS:



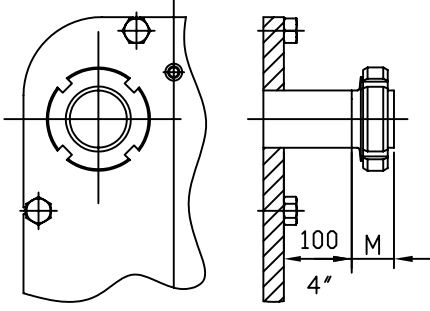
FLANGE



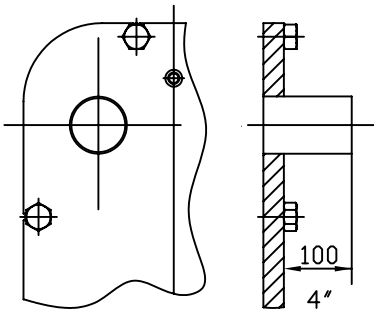
FLANGE ON PIPE



THREADED PIPE

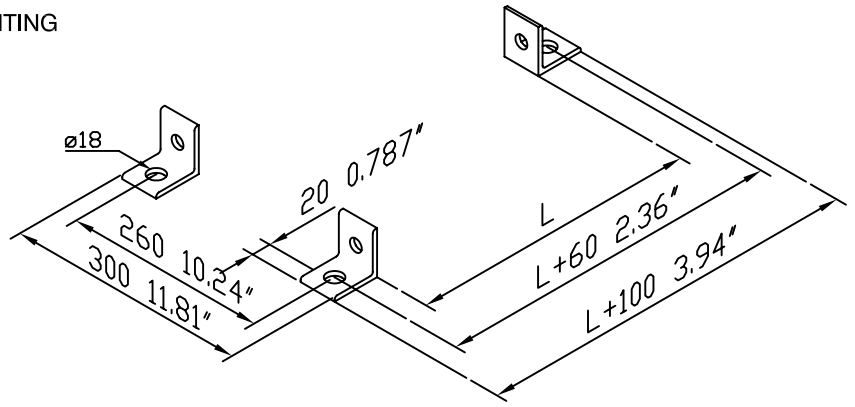


DAIRY UNION
M ACCORDING TO STANDARD

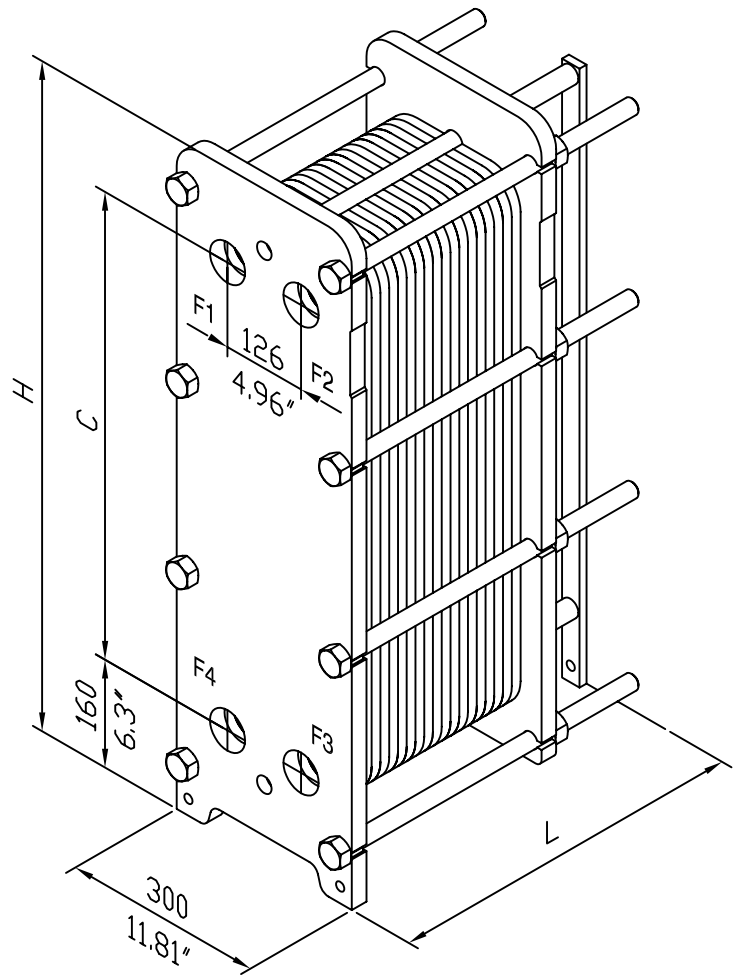


DAIRY PIPE

MOUNTING



FRAME



SUBJECT TO CHANGE IN CONSTRUCTION CONDITIONS

| FRAME SIZE | DIMENSION H | DIMENSION C |
|------------------|-------------|-------------|
| S7 / S7a | 694/27.32" | 394/15.51" |
| S14 / S14a / S15 | 994/39.13" | 694/27.32" |
| S20 / S20a | 1194/47.00" | 894/35.20" |

PLATE HEAT EXCHANGER GROUP:

S7 / S7a / S14 / S14a / S15 / S20 / S20a- IG PN16-25



SONDEX

Jernet 9
DK-6000 Kolding

DWG. FILE NO.:
S7a-S14a-S20a-IG-PN16-25

DRAWN:
BTD

DATE:
22.04.08/lgk

REV. NR.:
11