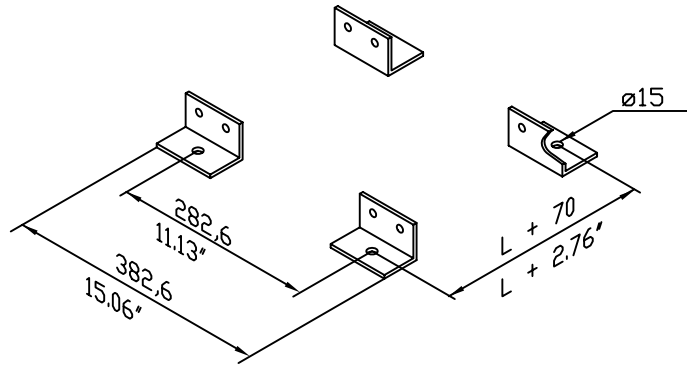
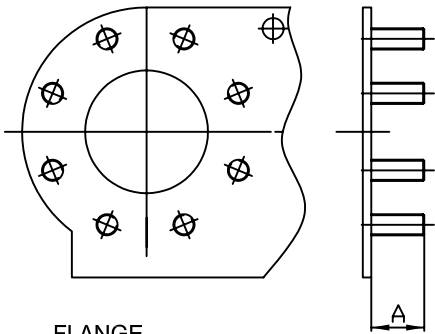


MOUNTING



CONNECTIONS:

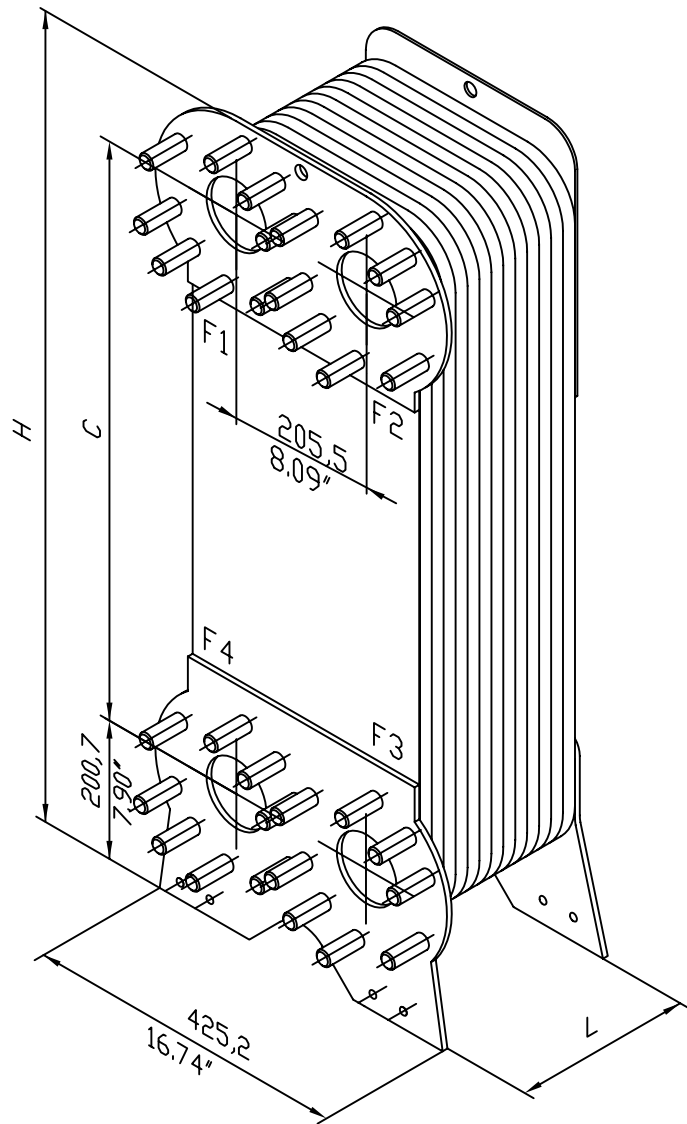


FLANGE

DN80

PN16 A= M16X50

FRAME



SUBJECT TO CHANGE IN CONSTRUCTION CONDITIONS

FRAME SIZE

DIMENSION H

DIMENSION C

SL222

933,2/36.74"

622,7/24.52"

PLATE HEAT EXCHANGER GROUP:

SL 222

DWG. FILE NO.:  
SL222

DRAWN:  
LGK

DATE:  
30.05.08

REV. NR.:  
2



**SONDEX**

Jernet 9  
DK-6000 Kolding