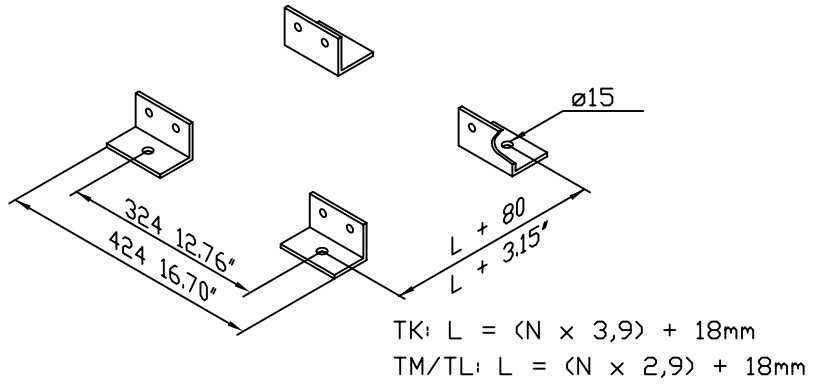
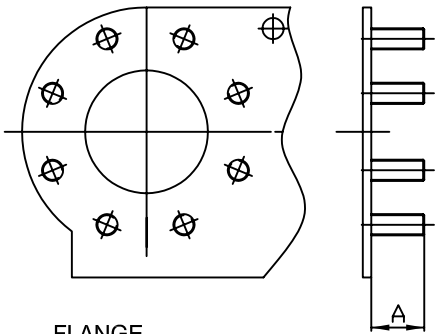


MOUNTING



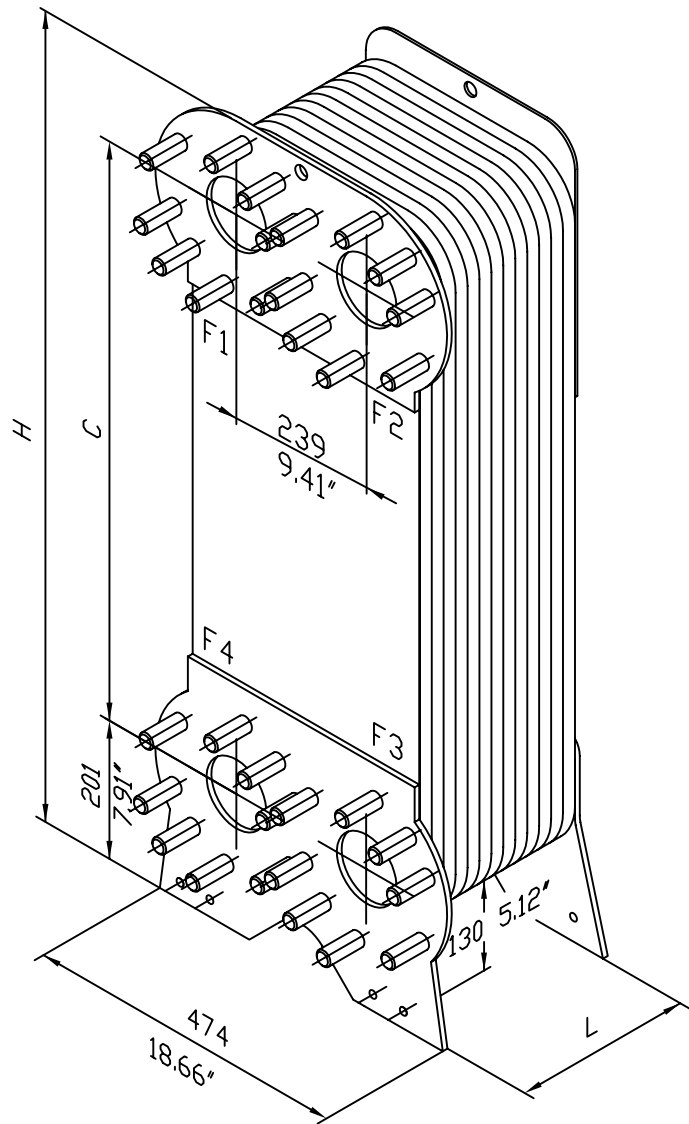
CONNECTIONS:



FLANGE

DN100
 PN16 A= M16X50
 PN25 A= M20X55

FRAME



SUBJECT TO CHANGE IN CONSTRUCTION CONDITIONS

FRAME SIZE	DIMENSION H	DIMENSION C
SL333	1180/46.46"	862/33.94"

PLATE HEAT EXCHANGER GROUP:

SL 333

DWG. FILE NO.:
SL333

DRAWN:
AS

DATE:
13.11.08 JKD

REV. NR.:
5



SONDEX

Jernet 9
 DK-6000 Kolding